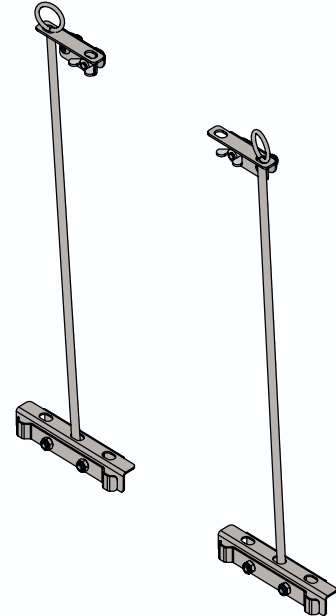


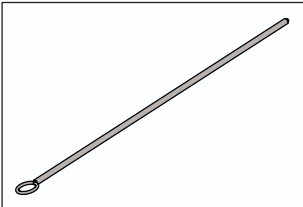


(DE) Fressplatzsperre
(FR) Barrière de mangeoire
(EN) Feeding place barrier
(ESP) Barrera para comedero
(IT) Barriera per mangiatoia
(NL) Verbod op voederplaatsen
(SLV) Pregrada za krmišče

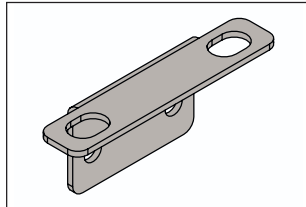
#146042



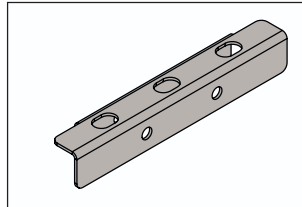
Pos. 1
2x



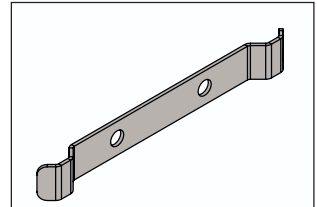
Pos. 2
2x



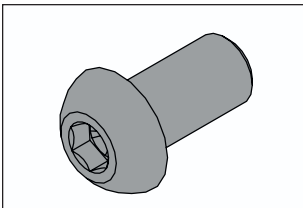
Pos. 3
2x



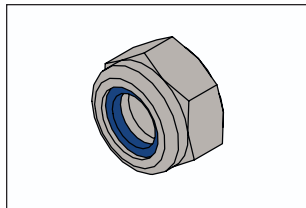
Pos. 4
2x



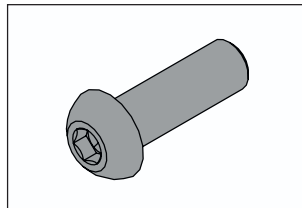
Pos. 5
4x M8X16



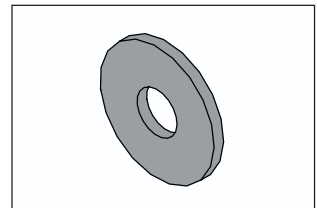
Pos. 6
6x M8



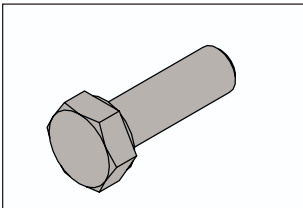
Pos. 7
2x M8X25



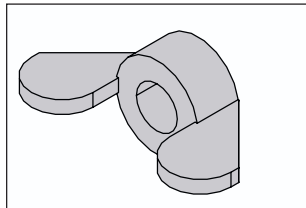
Pos. 8
4x A8.4



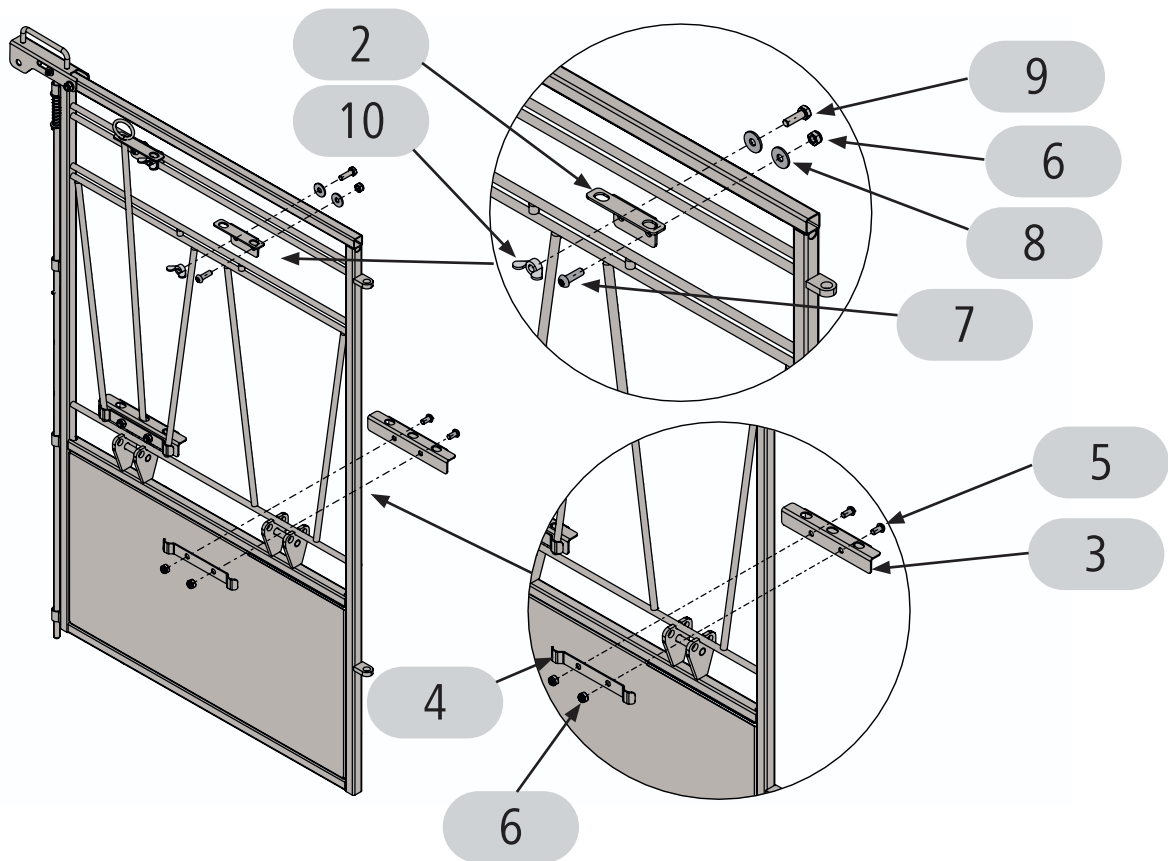
Pos. 9
2x M8x25



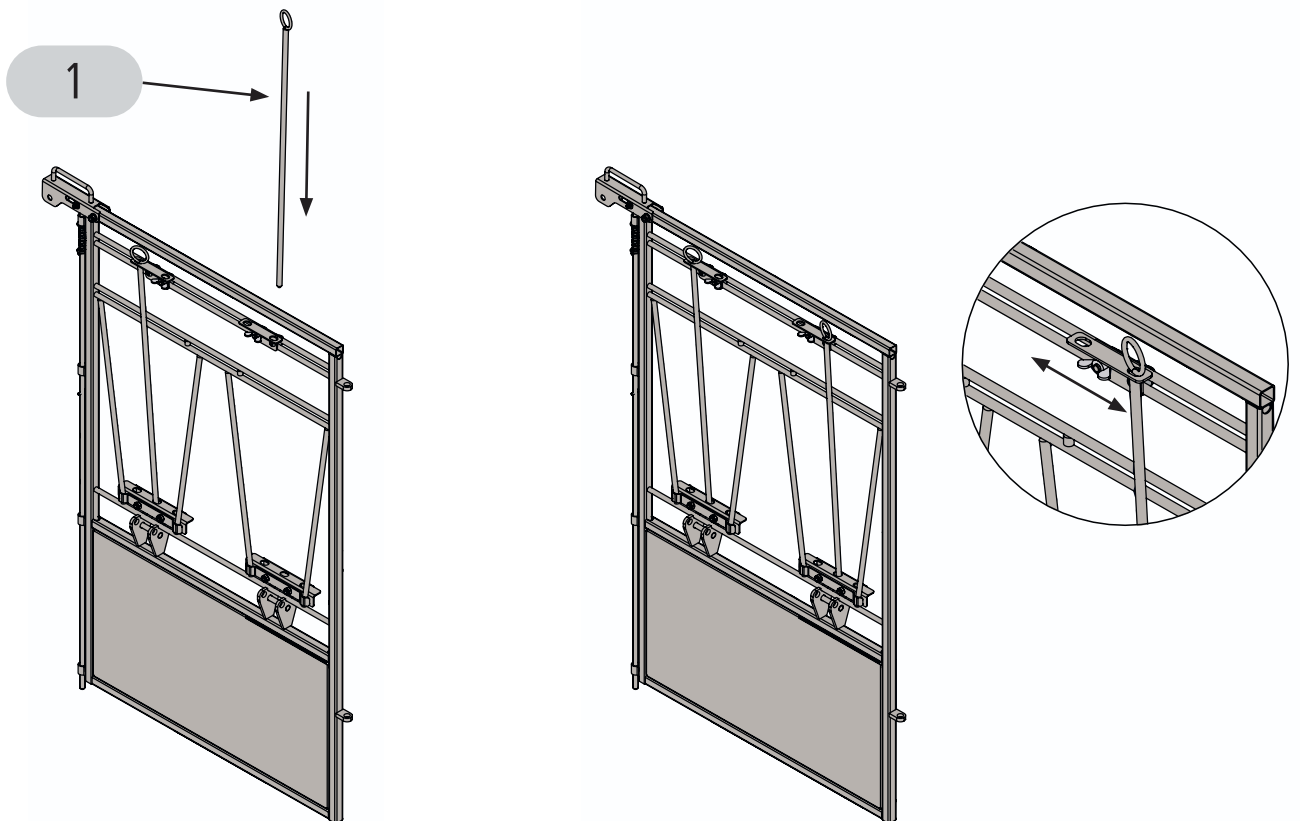
Pos. 10
2x M8



1



2



Albert Kerbl GmbH
 Felizenzell 9
 84428 Buchbach, Germany
 Tel. +49 8086 933 - 100
 Fax +49 8086 933 - 500
 info@kerbl.com
 www.kerbl.com

Kerbl Austria Handels GmbH
 Wirtschaftspark 1
 9130 Poggendorf
 Tel. +43 4224 81555
 Fax. +43 4224 81555 - 629
 order@kerbl-austria.at
 www.kerbl-austria.at

Kerbl France Sarl
 3, rue Henri Rouby, BP 46 - ZI SOULTZ
 68501 GUEBWILLER CEDEX, France
 Téléphone +33 (0)3 89 62 15 00
 Fax +33 (0)3 89 83 04 46
 E-Mail info@kerbl-france.com
 www.kerbl-france.com

Kerbl UK Ltd
 Lands End Way
 Oakham, Rutland
 LE15 6RF, UK
 Phone +44 (0) 1572 722558
 Fax +44 (0) 1572 757614
 www.kerbl.co.uk