

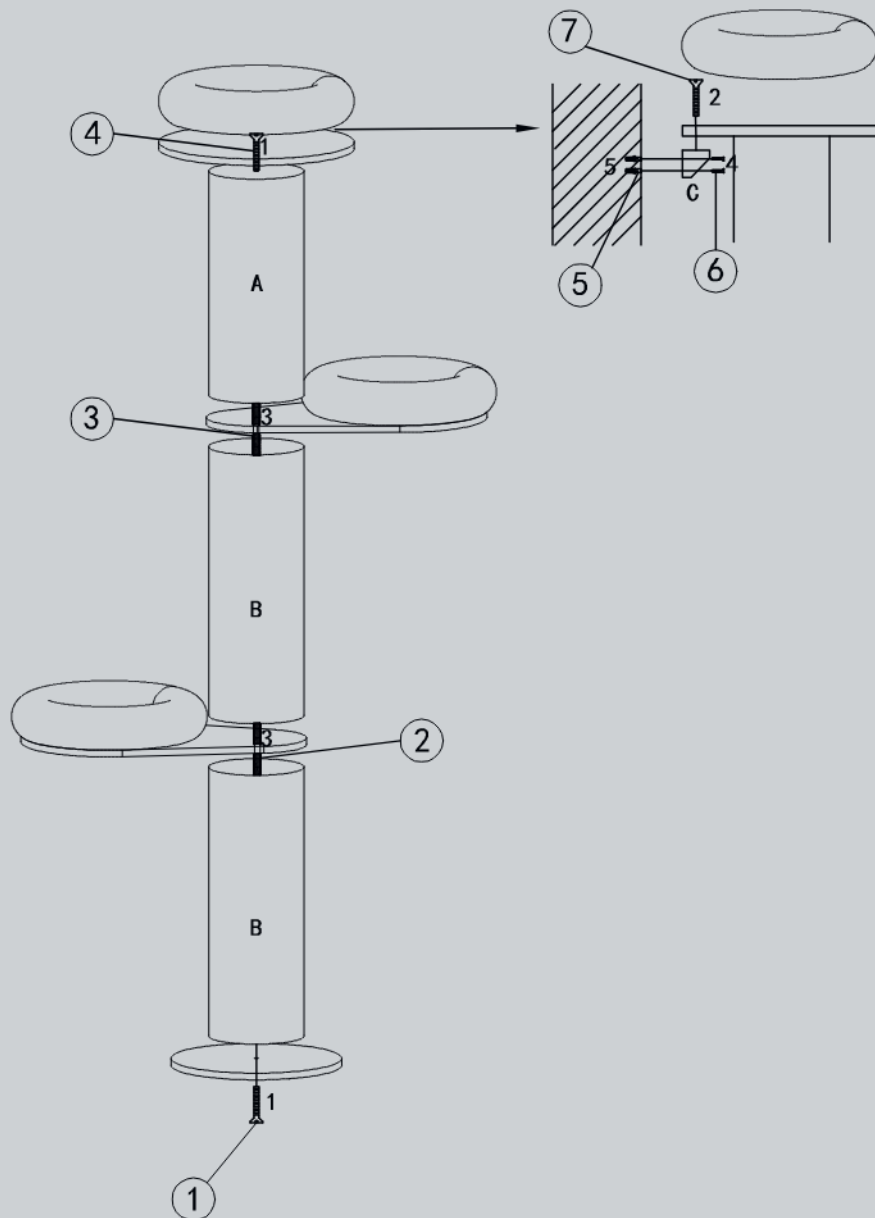


# KERBL Pet

#81638



1  M8*50mm 2 PCS	2  M8*35mm 1 PC	3  M8*80mm 2 PCS	4  M3.5*50mm 2 PCS	5  Ø8*38mm 2 PCS	6  1 PC	A  D22*50cm 1PC	B  D22*60cm 2 PCS	C  1 PC
---------------------------	--------------------------	---------------------------	-----------------------------	---------------------------	---------------	--------------------------	----------------------------	---------------



(DE) Bitte halten Sie die Reihenfolge der Arbeitsschritte 1,2,3,... von der Skizze ein.  
 (FR) Veuillez suivre la sequence du Workflow 1, 2, 3 ...comme vous pouvez le voir sur le schema.  
 (EN) Pls follow the sequence of the workflow 1,2,3,... as you can see on the draft.

Albert Kerbl GmbH  
 Felzenzell 9  
 84428 Buchbach, Germany  
 Tel. +49 8086 933 - 100  
 Fax +49 8086 933 - 500  
 E-Mail info@kerbl.de  
 www.kerbl.de

Kerbl Austria Handels GmbH  
 Wirtschaftspark 1  
 9130 Poggersdorf  
 Tel. +43 4224 81555  
 Fax. +43 4224 81555-629  
 E-Mail order@kerbl-austria.at  
 www.kerbl-austria.at

Kerbl France Sarl  
 3 rue Henri Rouby, B.P 46 Soultz  
 68501 Guebwiller Cedex, France  
 Tel. +33 3 89 62 15 00  
 Fax +33 3 89 83 04 46  
 E-Mail info@kerbl-france.com  
 www.kerbl-france.com

Kerbl UK Limited  
 8 Lands End Way  
 Oakham, Rutland  
 LE15 6RF UK  
 Phone +44 01572 722558  
 Fax +44 01572 757614  
 E-Mail enquiries@kerbl.co.uk  
 www.kerbl.co.uk