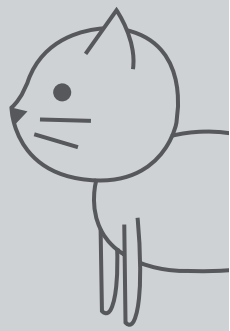




# KERBL Pet

#84440



**A**



**M8\*40mm  
2PCS**

**B**



**1PC**

**C**

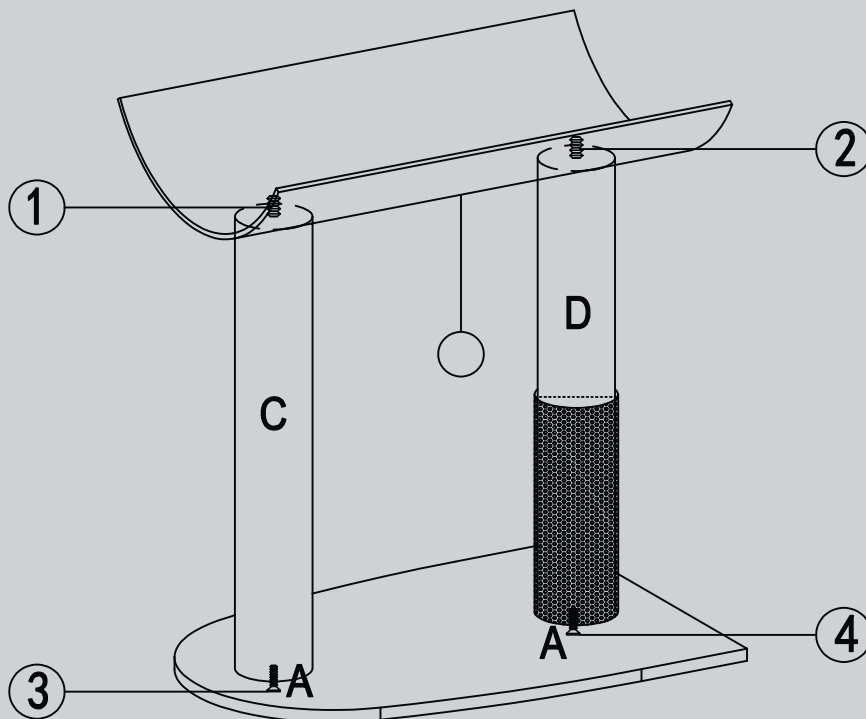


**45cm  
1PC**

**D**



**45cm  
1PC**



**Bitte halten Sie die Reihenfolge der Arbeitsschritte 1,2,3,... von der Skizze ein.  
Pls follow the sequence of the workflow 1,2,3,... as you can see on the draft.**

Albert Kerbl GmbH  
Felizenzell 9  
84428 Buchbach, Germany  
Tel. +49 8086 933 - 100  
Fax +49 8086 933 - 500  
E-Mail [info@kerbl.de](mailto:info@kerbl.de)  
[www.kerbl.de](http://www.kerbl.de)

Kerbl Austria Handels GmbH  
Wirtschaftspark 1  
9130 Poggersdorf  
Tel. +43 4224 81555  
Fax. +43 4224 81555-629  
E-Mail [order@kerbl-austria.at](mailto:order@kerbl-austria.at)  
[www.kerbl-austria.at](http://www.kerbl-austria.at)

Kerbl France Sarl  
3 rue Henri Rouby, B.P 46 Soultz  
68501 Guebwiller Cedex, France  
Tel. +33 3 89 62 15 00  
Fax +33 3 89 83 04 46  
E-Mail [info@kerbl-france.com](mailto:info@kerbl-france.com)  
[www.kerbl-france.com](http://www.kerbl-france.com)

Kerbl UK Limited  
8 Lands End Way  
Oakham, Rutland  
LE15 6RF UK  
Phone +44 01572 722558  
Fax +44 01572 757614  
E-Mail [enquiries@kerbl.co.uk](mailto:enquiries@kerbl.co.uk)  
[www.kerbl.co.uk](http://www.kerbl.co.uk)