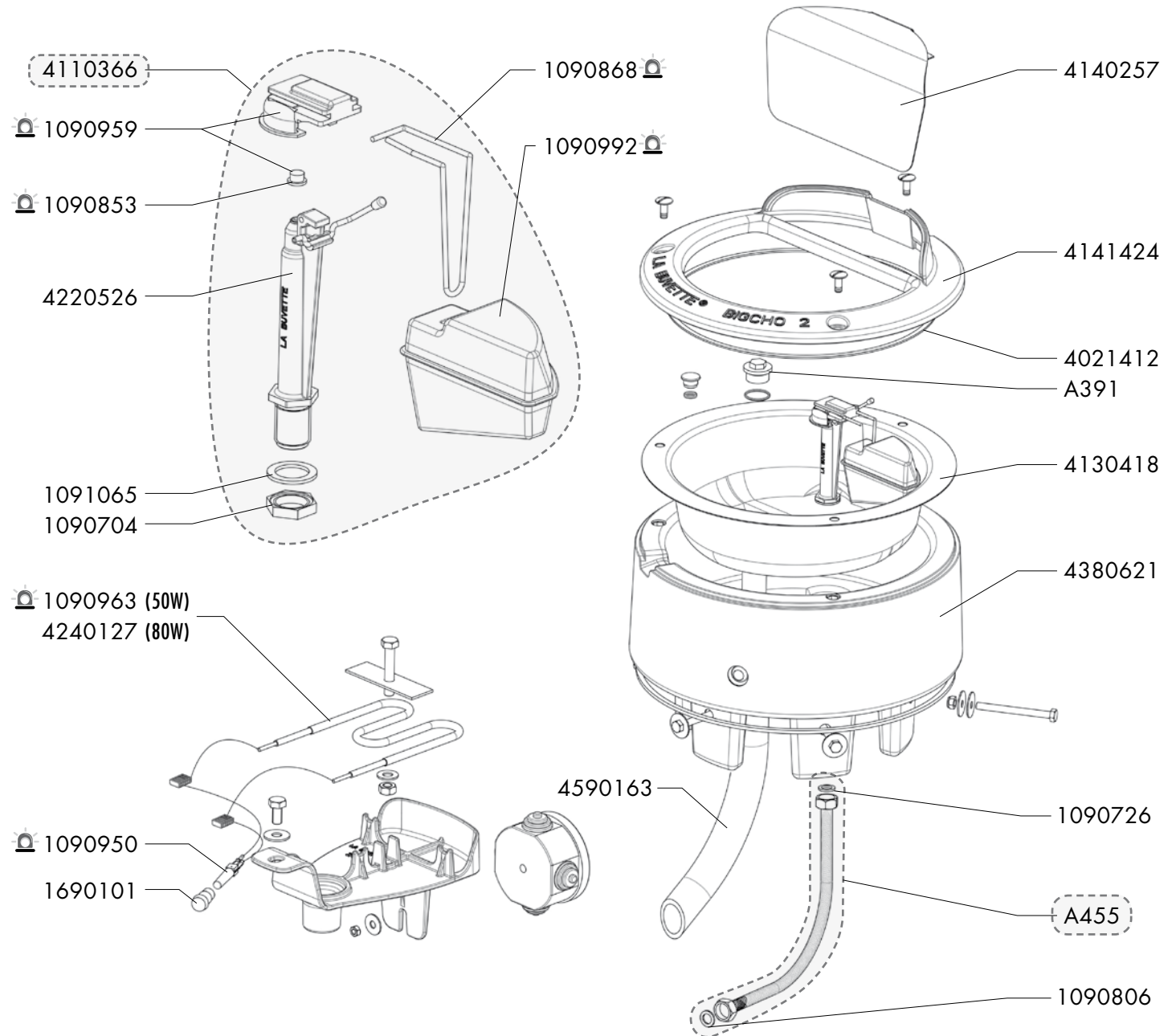


BIGCHO 2

Ref. 1639 - 1839 - 1712

Ship.	Ref.	Designation
J+5	A391	PLUG 3/4" STAINLESS STEEL
J+5	A455	ST.ST. BRAIDED HOSE FF 1/2" L 600 + FITTING MM 1/2" BLISTER PACK
J+5	1090704	10 X NUTS 1/2 GZ
J+5	1090726	20 X RUBBER
J+5	1090806	BAG OF 10 WASHERS 18,6X6X6
J+5	1090853	VALVE SEAL LAC 5 (X5) BLISTER PACK
J+5	1090868	SMALL PIN BLISTER PACK
J+5	1090888	ACCESSORIES BAG BIGCHO2 / BIGSTAL 2
J+5	1090950	2 BULBS 24 V LAKCHO (BLISTER)
J+5	1090959	VALVE BODY LAKCHO-BLISTER
J+5	1090963	HEATING PART 24V/50W LAKCHO-BLISTER
J+5	1090992	BLISTER WITH 1 FLOAT FOR BIGCHO 2/LAC 10
J+5	1091065	BAG WITH 2 FLAT RUBBER 29X20X2 STALL 3000
J+5	1190313	DRAIN PLUG Ø15 PL F130 EL
J+1	1690101	LUMINOUS SIGHT
J+5	4021412	SCTIKY FOAM SEAL 6X4
J+5	4110366	COMPLETE VALVE ASSEMBLY BIGCHO 2 / LAC 10
J+1	4130418	STAINLESS STEEL BOWL FOR BIGCHO 2
J+5	4140257	COVER FOR VALVE BIGCHO 2
J+5	4141424	NON SPILL FRAME ALU BIGCHO 2
J+5	4220526	JET CHIMNEY BIGCHO 2 / LAC 10
J+1	4240127	HEATER 24V 80W LAKCHO
J+5	4380621	FOAM INSULATED PE STAND BIGCHO 2
J+5	4590163	DRAINING HOSE BIGCHO 2 / BIGSTAL 2



Shipping time in working days (running out of stock excepted), spare parts tagged with a are dispatched the same day if order received before noon and made of parts tagged with exclusively.