



Technical data

Voltage	U	230	V
Phase		1	~
Frequency		50	Hz
Speed		1400	RPM
Power consumption	P _e	420	W
Nominal current	I	1.7	A
Maximum current	I	1.9	A
Capacitor		12/400	μF
Ambient temperature	T _{amb min/max}	-25...40	°C
Insulation Class		CLF	
IP Class Fan		IP55	
Weight		11.9	kg
Packing dimensions		635x635x360	mm

Fan details

Impeller blades	6
Impeller type	3
Impeller system	C
Impeller material	PP

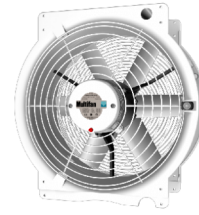
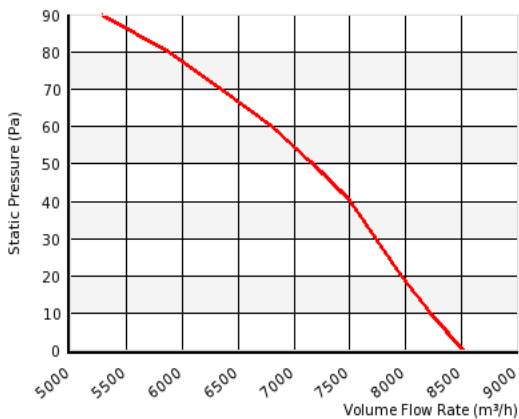
Control options

Triac controller	Yes
Transformer	Yes
Frequency drive	No
Intelligent Fan Drive	Yes

* All control options including single phase control frequency are available. Please contact Vostermans Ventilation Sales for more information

Characteristics

0 Pa 8550 m³/h
50 Pa 7150 m³/h



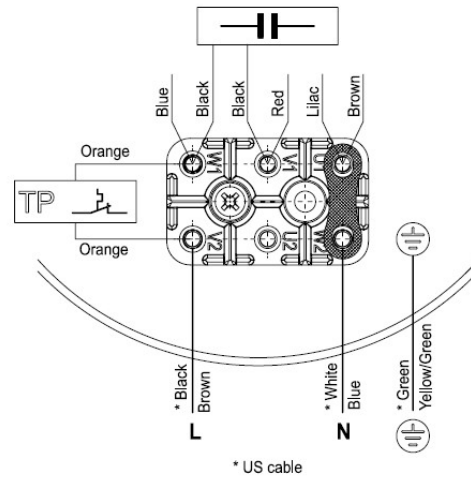
Please note: Picture may deviate from original product

Approval(s)

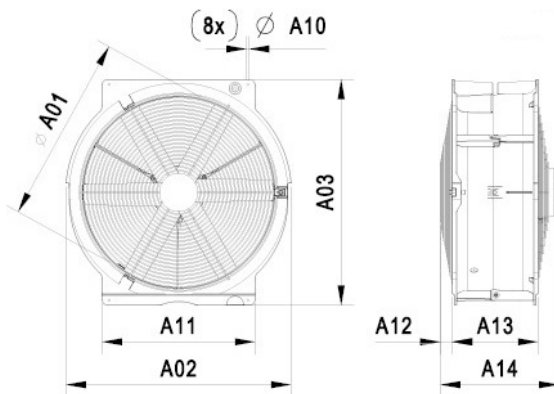


Wiring diagram - Fan

AA02 - CW



Dimensions



- A01: 518 mm
- A02: 620 mm
- A03: 620 mm
- A10: 7 mm
- A11: 420 mm
- A12: 33 mm
- A13: 236 mm
- A14: 327 mm