



Technical data

Voltage	U	230	V
Phase		1	~
Frequency		50	Hz
Speed		1400	RPM
Power consumption	P _e	60	W
Nominal current	I	0.5	A
Maximum current	I	0.5	A
Capacitor		-	μF
Ambient temperature	T _{amb min/max}	-25...40	°C
Insulation Class		CLB	
IP Class Fan		IP42	
Sound pressure level at 2 m	L _p	54	dB(A)
Weight		3.2	kg
Packing dimensions		290x290x210	mm

Fan details

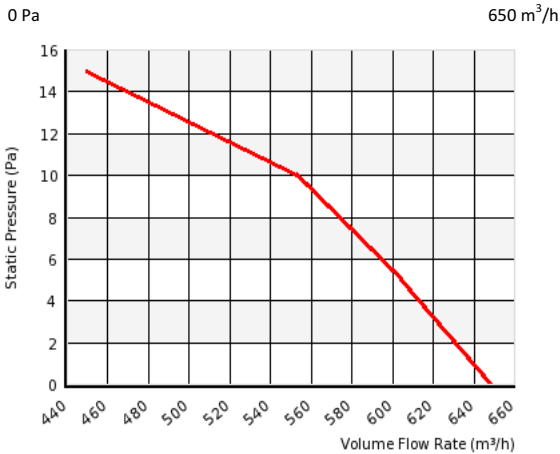
Impeller blades	6
Impeller type	2
Impeller system	C
Impeller material	PP

Control options

Triac controller	Yes
Transformer	Yes
Frequency drive	No
Intelligent Fan Drive	Yes

* All control options including single phase control frequency are available. Please contact Vostermans Ventilation Sales for more information

Characteristics



Please note: Picture may deviate from original product

Approval(s)

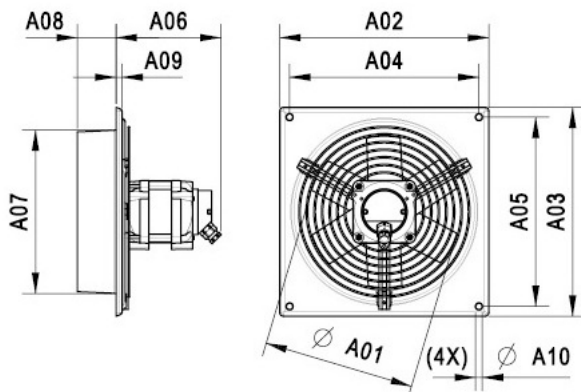


No.

Wiring diagram - Fan

A004 - WS fans with EBM motor --

Dimensions



A01:	200 mm
A02:	276 mm
A03:	276 mm
A04:	250 mm
A05:	250 mm
A06:	139 mm
A07:	216 mm
A08:	51 mm
A09:	8 mm
A10:	9 mm